



Centro Empresarial Sado Internacional - Edifício E4
EN 10 - Vale da Rosa, 2910-835 Setúbal - Portugal

Tel: +351 265 706 900 | Fax: +351 265 706 909

www.dynasys.pt
info@dynasys.pt

MODEM GSM/GPRS

FOR INDUSTRIAL-GRADE M2M APPLICATIONS



APPLICATIONS

» ADVANCED METERING
INFRASTRUCTURE

» REMOTE AUTOMATION

» OTHER DOMOTICS
APPLICATIONS



TECHNICAL INFORMATION

COMMUNICATIONS	Radio: GSM-850/900: Class 4 (2W peak RF power) DCS-1800 / PCD1900: Class 1 (1W peak RF power) Antenna: dual band 50ohm 3dB with 1m cable Serial Interfaces: RS232 or RS485
SIM CARD	On shelf
COMMANDS	AT: Hayes Standard/Fax Class 1 3GPP TS 27.007 / 3GPP TS 27.005
ELECTRICAL CHARACTERISTICS	Voltage: 90-250 VAC (50/60 Hz) Power: 7W
LED INDICATORS	Green (Run) - ON/OFF Red (GSM) - GSM connection status Bicolor (RSSI) - Signal strenght
ENVIRONMENTAL CHARACTERISTICS	Operating temperature: -10 to +55 (°C) Storage temperature: -40 to +85 (°C)
INSTALLATION	DIN Rail
IP RATE	IP30
MATERIAL	ABS Plastic
DIMENSIONS	79 x 55 x 93 (mm)
WEIGHT	280g (antenna included)

MODEL	CONNECTORS	REFERENCE
MODEM III GSM/GPRS	1 x RJ45 (RS232)	55040107
MODEM III GSM/GPRS	1 x RJ45 (RS485)	55040113
MODEM III GSM/GPRS	2 x RJ45 (RS232)	55040111
MODEM II GSM/GPRS	1 x DB9 (RS485)	55040115
MODEM II GSM/GPRS	1 x DB9 (RS232)	55040105

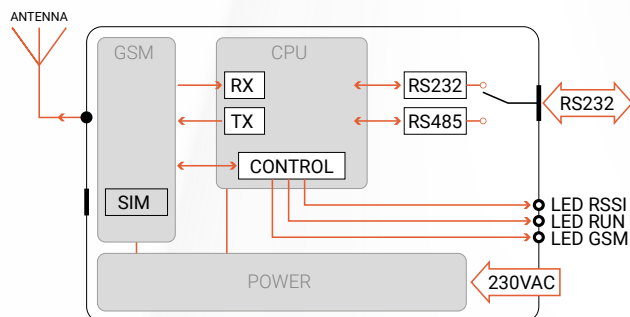
MODEM III GSM/GPRS



MODEM II GSM/GPRS



BLOCK DIAGRAM



SOFTWARE FOR MODEM CONFIGURATION

